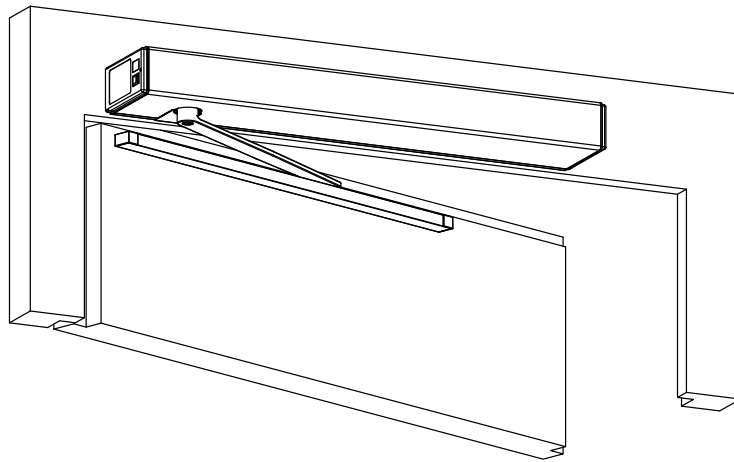


Swing door drive mechanism

FD 10

Operator manual

Original



Com. no. Pos. Construction year

Operator

Operating place

0549-991/02a
2019.11

GILGEN
DOOR SYSTEMS

TABLE OF CONTENTS

1	GENERAL REMARKS	3
1.1	Target group.....	3
1.2	Where to keep the operator manual	3
1.3	Adresses.....	3
2	SAFETY.....	4
2.1	Appropriate use	4
2.2	Safety notices.....	4
2.3	Safety regulations	4
2.3.1	Principles.....	4
2.3.2	Service.....	5
2.3.3	Safety devices.....	5
2.3.4	Malfunctions	5
2.3.5	Accessories/Spare parts	5
2.3.6	Door wings and fixed side panels.....	5
3	PRODUCT DESCRIPTION	6
3.1	General remarks	6
3.2	Standard application.....	7
3.3	Automatic closing sequence control.....	8
3.4	Control elements	8
3.5	Safety elements	8
3.6	Technical data	9
4	CONTROL.....	10
4.1	Program selector switch	10
4.2	Operating modes	10
4.3	D-BEDIX (option).....	11
4.3.1	Keys	11
4.3.2	Symbols	11
4.3.3	Operating modes.....	12
4.3.4	Display of the door position	12
4.3.5	Menu level	13
4.3.6	Setting examples	14
4.3.7	Error display	15
4.4	KOMBI-D-BEDIX (option).....	15
5	SERVICE	16
5.1	Care/checking to be carried out by the operator	16
5.1.1	Switching off.....	16
5.1.2	Care	16
5.1.3	Checking.....	16
5.2	Maintenance/checking carried out by the after-sales service	16
6	TROUBLESHOOTING.....	17
6.1	With D-BEDIX / KOMBI-D-BEDIX (option)	17
6.1.1	Error display	17
6.1.2	Carrying out a Reset.....	17
6.2	Irregular functioning without error no.	17
7	SHUT-DOWN	18
8	DISPOSAL OF THE INSTALLATION.....	18
9	SETTINGS MADE BY THE AFTER-SALES SERVICE.....	18
10	APPENDIX	
	• Declaration of incorporation according to machinery directive	

1 GENERAL REMARKS

The following document is associated with this installation:

- Control booklet 0549-991/12 onto the installation

Applicable documents:

- Mounting and operating instructions 0549-990/02
- Operator manual 0549-991/02

The present operator manual contains all the instructions needed for operation, maintenance as well as troubleshooting and is the basis for a faultless and safe operation of the installation.

The operator manual must be completely read and understood!

1.1 Target group

All the activities described in the operator manual may only be carried out by the operator or by appropriately instructed persons!

1.2 Where to keep the operator manual

The operator manual is handed over to the operator who has to keep it at an easily accessible place.

Handed over to the operator Date

Signature

1.3 Adresses

Distribution agent/
After-sales service

Manufacturer

Gilgen Door Systems AG
Freiburgstrasse 34
CH-3150 Schwarzenburg
Phone +41 31 734 41 11
Fax +41 31 734 43 79
www.gilgendoorsystems.com
info@gilgends.com

2 SAFETY

2.1 Appropriate use

The swing door drive mechanism FD 10 has been exclusively designed for operating swing doors. Any other use beyond these application limits is deemed inappropriate and inadmissible! In the event of an inappropriate use of this system, the safety of the user may be jeopardized and/or the installation be damaged. The manufacturer declines all responsibility for these injuries/damages!

2.2 Safety notices

The present instructions uses the following symbols and notes in order to point out certain residual dangers:



Warning:
Involving danger to life and limb.



Attention:
A situation where material could be damaged or the function impaired.



Note:
Hints which facilitate the work.

2.3 Safety regulations

2.3.1 Principles

- Children must not be involved in the cleaning or user maintenance of this system. Very young children must not operate the system. Young children must only operate the system when under the close supervision of an adult. Older children and vulnerable persons may use this system safely once they have been shown, while under suitable supervision, how to use it appropriately. Highly vulnerable persons can only use the system safely when under close supervision, or if it is fitted with corresponding additional equipment that amply fulfils the scope-of-use standards of the norm EN 16005.
- The installation has been calculated, designed and manufactured on the basis of the latest state-of-the-art technology and the generally recognized safety-relevant rules and regulations. It may only be operated if it is in perfect condition, taking into account the specifications of the present manual. Any use beyond the defined application limits is inadmissible!
- The installation is to be operated and maintained in such condition that the safety is guaranteed at all times. An integral part of this condition is the appropriate use, the compliance with the operating conditions prescribed by the manufacturer, as well as the regular service (maintenance/checking).
- In order not to create any dangerous squeezing and shearing points, no structural modification must be made within the door surroundings, without prior authorization from Gilgen Door Systems. Furthermore, it is important that no objects (such as furniture, pallets, etc.) be placed in the vicinity of the door.
- All further interventions on and modifications of the installation that are not described in the present instructions are forbidden!

- The swing door drive mechanism FD 10 may only be installed and operated in dry rooms. If this condition cannot be fulfilled, the customer must provide sufficient protection from moisture.

2.3.2 Service

In order to guarantee the safety of the users at all times, the installation must be checked with regard to its safe condition before the first commissioning and during normal operation, **at least once a year**, by a expert. The correct maintenance/checking must be confirmed by entering the date and signature into the control booklet.

2.3.3 Safety devices

It is inadmissible to bypass, shunt or disable the safety devices. Any defective safety devices may not be disconnected in order to be able to continue the operation of the installation.

2.3.4 Malfunctions

If any malfunctions occur which might be detrimental to the safety of the users, the installation must be immediately taken out of operation. It may only be taken back into operation after the malfunction has been repaired and all danger eliminated.

2.3.5 Accessories/Spare parts

A safe and reliable function of the installation can only be guaranteed if it is operated with the original Gilgen Door Systems accessories/spare parts. Gilgen Door Systems declines all responsibility for damages resulting from unauthorized modifications of the installation or from the use of foreign accessories/spare parts.

2.3.6 Door wings and fixed side panels

Transparent door wings and fixed side panels (or their surfaces) must be clearly recognizable, e.g. by means of a permanent marking or dyed materials.

Door sills or other protruding elements of the door system have to be marked with a warning sticker or appropriate marking.

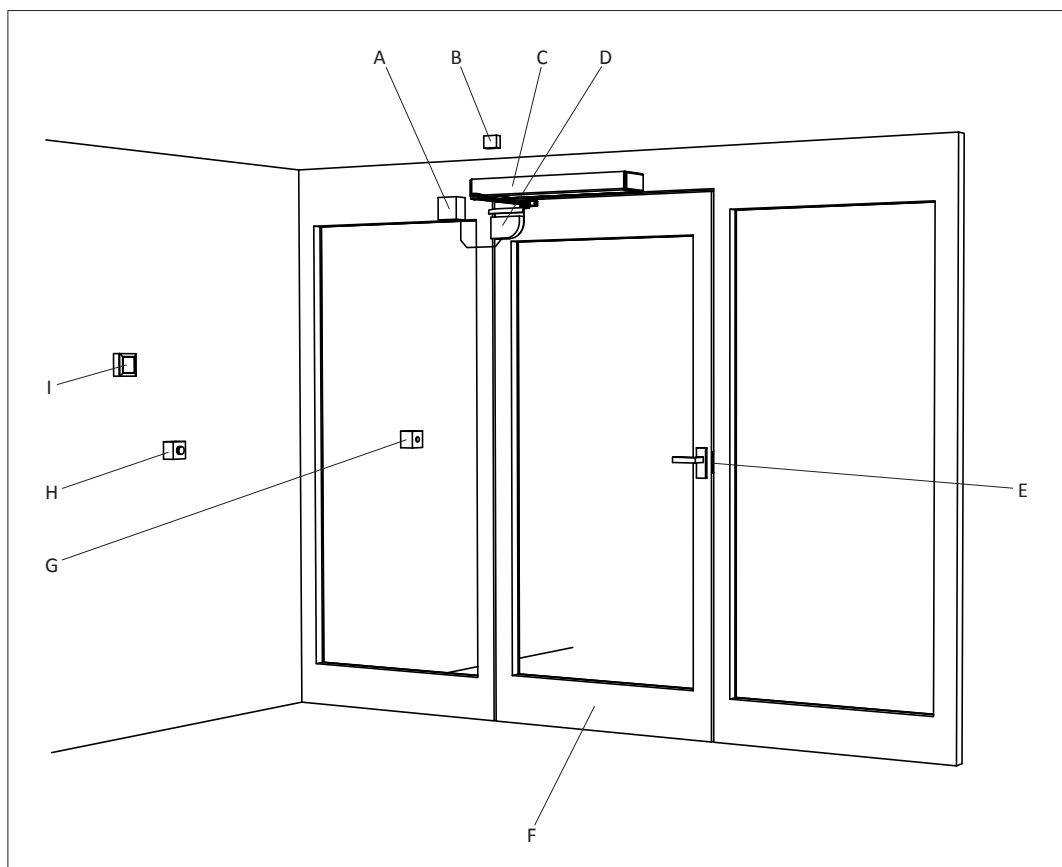
3 PRODUCT DESCRIPTION

3.1 General remarks

The swing door drive mechanism FD 10 allows an automatic opening and closing of swing doors. The door is opened either automatically or manually via the control elements. The closing is initiated upon expiry of the programmed hold-open time. If the Push-and-Go function is enabled, the door just requires a slight manual push upon which the drive unit carries out an automatic opening sequence.

The operating characteristics of the door can be determined via the program selector (selection of the operating modes).

A swing door installation may consist of the elements designated hereafter:



- A Branch box*
- B Detector*
- C Swing door drive mechanism FD 10
- D Safety element*
- E Electric lock*
- F Door wing
- G Key-operated pivoting switch*
- H Push-button*
- I Program switch

* Option

3.2 Standard application

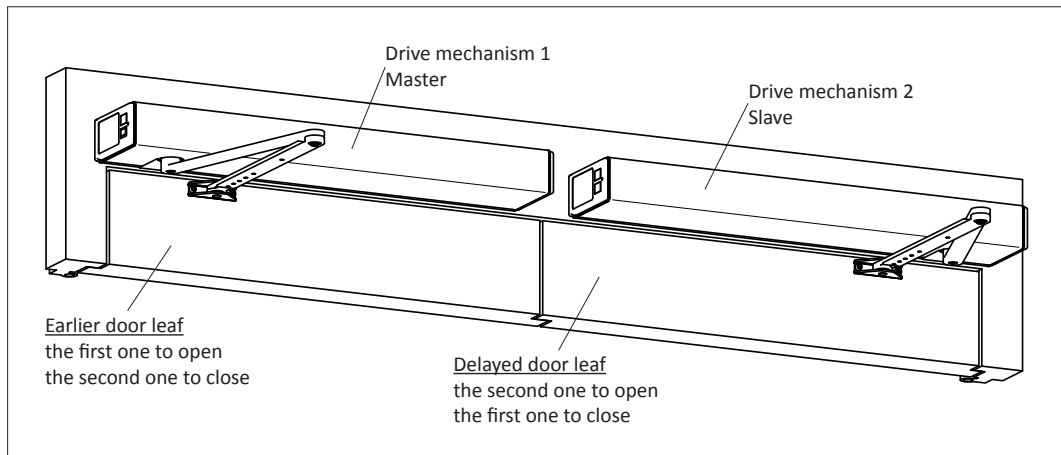
During normal operation, the opening and closing movements of the door leaf are motorized. The automatically opening is performed via opening elements. The automatically closing starts as soon as the programmed hold-open time has expired.

Function in the event of a mains failure

The door leaf is closed from any position by means of spring power. The motor attenuation ensures a controlled closing.

3.3 Automatic closing sequence control

For bi-parting installations, two separate FD 10 swing door drive mechanisms are used, which are connected via connection terminals.



3.4 Control elements

The possible control elements are:

- Motion detector interior/exterior side
- D-BEDIX
- KOMBI-D-BEDIX
- Program selector
- Push-button
- Key-operated pivoting switch
- Remote radio control

3.5 Safety elements

The required safety elements must be installed in accordance with the EU directives as well as with the safety regulations valid in the country of application.



Attention:

We advise to use safety elements from the Gilgen Door Systems product range. Gilgen Door Systems cannot assume any functional guarantee if elements from other suppliers are being used!

Safety sensors are fitted to automated swing doors to monitor and protect their pivoting area. They are fitted to both sides of the door leaf. This guarantees maximum protection during both opening and closing of the door.

Basically, the instructions of the sensor manufacturer must always be observed when mounting the safety sensors! If the connecting wires of the safety sensors are not tin-plated, end sleeves must be used for the strands!

Function

In opening direction:

Movement of the door leaf stops whenever the sensor detects an obstacle. Wall recognition of the safety sensor can be suppressed (adjusted).

In closing direction:

The safety sensor reverses the drive mechanism, and the closing door-leaf opens once more.

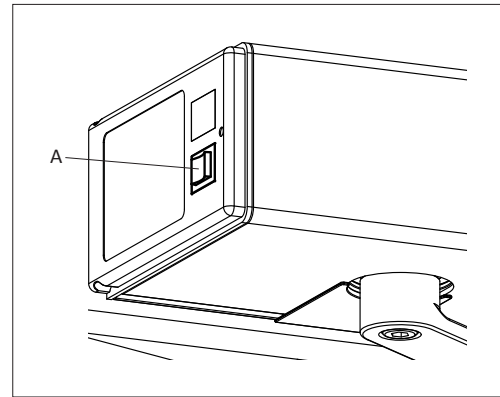
3.6 Technical data

Drive mechanism	Standard
Power transmission	Normal rods Sliding rods
Dimensions drive mechanism	Height 70 mm Width 730 mm Depth 125 mm
Weight drive mechanism	8,2 kg
Ambient temperature	-15...+50 °C
May only be used in dry rooms	max. relative humidity 85 %
Protection type	IP 20
Operating voltage	230 VAC (+10/-15 %), 50 Hz
Mains supply by customer	230 VAC (+10/-15 %), 50 Hz, 10/13 A
Power consumption drive mechanism	max. 350 W
Motor power rating	100 W
Power supply external consumer	24 VDC ($\pm 10\%$), 1,4 A
Torque output shaft	56 Nm permanent 165 Nm max.
Lintel depth	normal rods max. 250 mm sliding rods pl -50/+150 mm ps -50/+150 mm
Door leaf opening angle	max. 105°
Door leaf weight	max. 150 kg
Door leaf width	730...1'100 mm (lintel mounting) see chapter "Application limits"
Opening speed	2,4...20 s adjustable (max. 40°/s)
Closing speed	2,4...20 s adjustable (max. 40°/s)
Range of the accelerating function (forceful closing) (without mains power)	$\approx 10...15^\circ$ not adjustable
Motor damping (without mains power) within the range of the accelerating function (forceful closing)	stepless adjustable (adjusting trimmer)
Hold-open time	0...60 s
Hold-open time Night	0...180 s

4 CONTROL

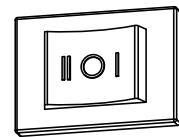
4.1 Program selector switch

The drive mechanism is supplied with a built-in program selector switch (A), which allows enabling the operating modes AUTOMATIC, OPEN and MANUAL.



4.2 Operating modes

The following operating modes can be enabled by means of the program selector switch (A):



AUTOMATIC (I)

Automatic opening via the opening elements inside/outside + Key.
Automatic closing upon expiration of the adjustable hold-open time.

MANUAL (0)

The drive mechanism and the control elements are switched off.
The door leaf can be manually opened.
The door leaf is closed by spring power from any position.

OPEN (II)

The door leaf is automatically opened and remains in the OPEN position.

A selector switch can be connected to the corresponding terminals on the control unit for the following operating modes:

NIGHT

The door leaf can only be opened via the opening element Key (key-operated switch outside).

EXIT

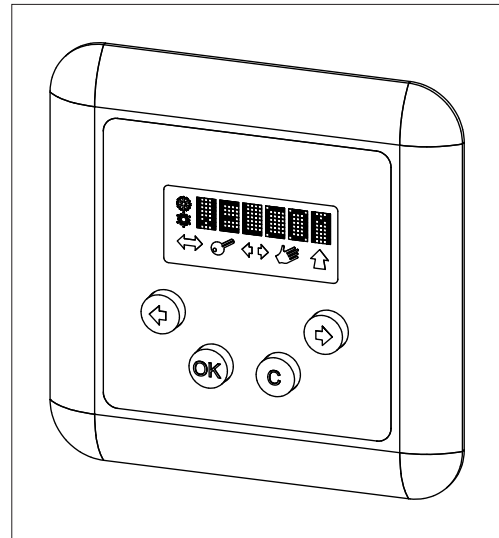
The door leaf can only be opened via the opening elements inside and Key.

4.3 D-BEDIX (option)

The different operating modes can be directly enabled by means of the D-BEDIX. In addition, it provides easy programming of the most important door settings.

The operating modes, menu settings as well as possible errors are displayed in a clearly arranged synopsis.

The D-BEDIX is connected to the control unit FD 10 via a screened two-core connection cable (e.g. U72M or EIB-Y(St)Y, max. length 50 m). Only one D-BEDIX can be connected per door installation.



4.3.1 Keys

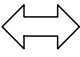

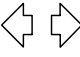


	C-key (Cancel) <ul style="list-style-type: none"> • Exit the menu • Invalidate entry.
	OK-key <ul style="list-style-type: none"> • Confirm the selection • Confirm the entry.
	Arrow keys <ul style="list-style-type: none"> • Navigate within the menus • Short simultaneous actuation of both keys = acces to the menu level.

4.3.2 Symbols

	Operating mode symbols <ul style="list-style-type: none"> • Show the possible operating modes (see chapter: Operating modes). 	
	Selection frame (active and preselected operating mode) <ul style="list-style-type: none"> • Shows what has been presently selected. 	
	Selection frame (active operating mode) <ul style="list-style-type: none"> • Shows what has been presently selected but is still inhibited. A control element with higher priority (e.g. key-operated switch) determines the operating mode. 	
	Bar (preselected operating mode) <ul style="list-style-type: none"> • Shows the preselected operating mode. 	

4.3.3 Operating modes

With the D-BEDIX, the following operating modes can be selected by means of the corresponding symbols:

	AUTOMATIC Automatic operation. The installation can be locked.
	NIGHT The installation is locked ¹ . As opening commands, only the key-operated impulse switch is accepted. The delayed switchover to the operating mode NIGHT can be activated by means of parameter TdNigt. Function: If the program selector switch is changed to the operating mode NIGHT from any random operating mode, the internal radar will still remain active during the programmed time TdNigt (EXIT).
	OPEN The installation is opened and remains in the open position.
	MANUAL The installation stops. The swing door leaf is released and can be manually opened and closed.
	EXIT One-way traffic from inside towards the outside. The installation is locked ² (shop closing switching mode).

¹ Provided that the locking mechanism (optional) is installed.

² Each operating mode can be locked (this is configurable).

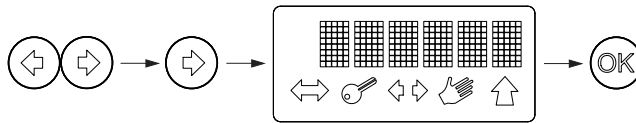
4.3.4 Display of the door position

The following door positions are represented on the D-BEDIX display:

<REF?>	Waits for reference switch
< ?? >	Unknown
><	Closed
>##<	Closed and locked
<< >>	Opening
< >	Open
>> <<	Closing
==	Stopping

4.3.5 Menu level

Short and simultaneous actuation of both arrow keys (=access to the menu level).
 Select the desired menu item by means of the arrow key.
 Confirm by means of the OK key.



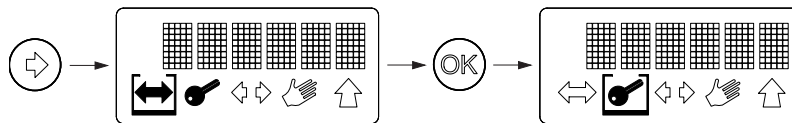
Display	Description
PARAMETER	Setting the motional parameters *
CONFIG	Setting the functionalities *
DOUBLE DOOR	Setting the closing sequence and interlock function *
DIAGNOSTICS	Diagnostic tool
ERROR ACTIVE	Active pending errors
ERROR HISTORY	Formerly active errors
REINIT	Carry out a re-initialization *
BLOCK/UNBLOC	Lock/unlock keys
TEACH	Initiate a setting-up procedure ⇒ make sure that the door leaf is completely closed.

* password protected ⇒ settings only made by the after-sales service

4.3.6 Setting examples

Changing the operating mode

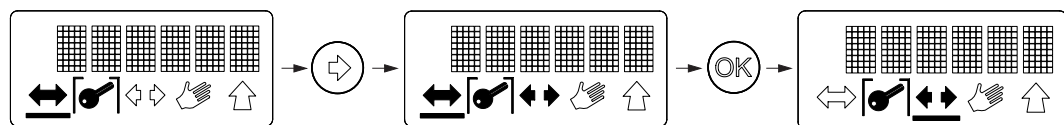
Select the desired symbol by means of the arrow key (symbol starts flashing).
Confirm with the OK key (frame/bar switch over).



Preselecting the operating mode

An overriding switch is active and determines the operating mode (only the selection frame is visible, the bar underlines the preselected operating mode). Now you can select the operating mode you want to be active upon cancellation of the overriding switch:

Select the desired symbol by means of the arrow key (symbol starts flashing).
Confirm with the OK key (bar switches over).

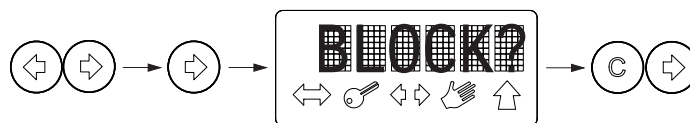


Enabling the keylock

Short simultaneous actuation of both arrow keys (= access to the menu level).

By means of the arrow key, select BLOCK.

Confirm with the C-key and the right-hand arrow key.



Temporarily disabling the keylock (60 s)

Short simultaneous actuation of the C-key and the right-hand arrow key.



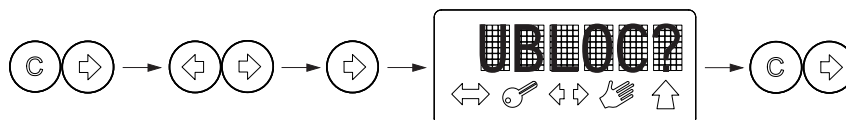
Disabling the keylock

Short simultaneous actuation of the C-key and the right-hand arrow key.

Short simultaneous actuation of the arrow keys (= access to the menu level).

By means of the arrow key, select UNBLOC.

Confirm with the C-key and the right-hand arrow key.



Parameters (hold-open timeday)

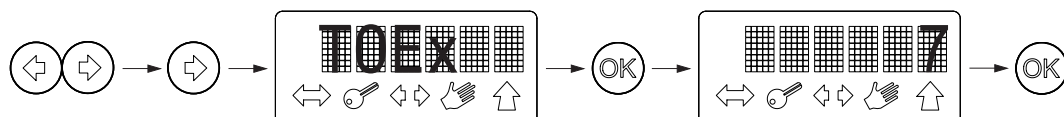
Short simultaneous actuation of the arrow keys (= access to the menu level).

By means of the arrow key, select TOEx.

Confirm with the OK key.

By means of the arrow key, change the value.

Confirm with the OK key.



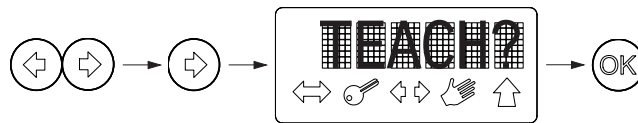
Teach

Completely close the door leaf.

Short simultaneous actuation of the arrow keys (= access to the menu level).

By means of the arrow key, select Teach.

Confirm with the OK key.

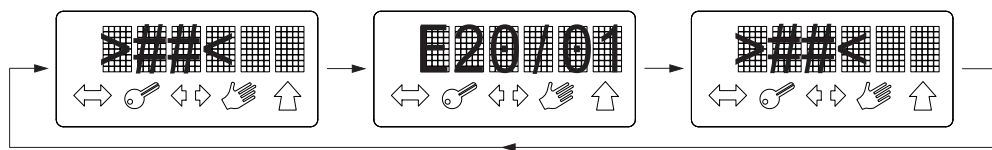


4.3.7 Error display

In the event of an error, the display shows (alternating with the door position status) the presently active error number (e.g. E20/01).

Error list: see chapter Troubleshooting.

This sequence will be repeated until the error has been eliminated.



4.4 KOMBI-D-BEDIX (option)

In addition to the functions of the D-BEDIX, the KOMBI-D-BEDIX contains a key-operated switch (round or profile cylinder) with the following function:

Lockout of the KOMBI-D-BEDIX against unauthorized use.

Free



Locked



If this lockout is enabled, all the keys are shortly lit (as a confirmation of the lockout).

 Round cylinder	 Profile cylinder
Cylinder: to be supplied by customers	
 KABA 1514 SEA 1.043.0 DOM 2222H ix5 Driver with 8 adjus. possibilities KESO 11.014.045 KESO 21.014.045 KESO 31.014.045 Adjustable beard E201	 KESO 21.214.040 Adjustable beard E200 DOM 333 ix-5 Driver with 8 adjusting possibilities BKS 8900 N BL 31 BKS 3101 N BL 31 BKS 3301 N BL 31 ZEISS IKON 0040 ZEISS IKON 5040 ZEISS IKON 5044 ZEISS IKON 6044 ZEISS IKON 7044

5 SERVICE

5.1 Care/checking to be carried out by the operator



Warning:
Disconnect the installation before carrying out any work on the swing door!

5.1.1 Switching off

- Select the operating mode MANUAL
or
- Pull out the mains plug.

5.1.2 Care

- Clean the floor within the area of the door wing.
- Clean the outside of the drive mechanism covering with a moistened rag.



Warning:
Do not use running water or high-pressure machines for cleaning the drive mechanism!



Attention:
Do not use any metal brushes or chemical products for cleaning the installation!

5.1.3 Checking

The installation must be checked at regular intervals, at least every 2 months (checking of the different elements as far as these are included in the installation):

- When the door wing is moved by hand, can you hear any unusual grinding or screeching noises?
- Check the function, the free access to and identification of the emergency stop button (optional).
- Check the correct fastening of the drive mechanism covering.



Attention:
Please contact immediately your after-sales service if you detect a damage or malfunction that you cannot repair yourself.

5.2 Maintenance/checking carried out by the after-sales service



Warning:
In order to guarantee the safety of the users at all times, the installation must be checked with regard to its safe condition before the first commissioning and during normal operation, **at least once a year**, by a expert. The correct maintenance/checking must be confirmed by entering the date and signature into the control booklet.



Note:
We recommend to conclude a maintenance contract with the manufacturer of the installation, respectively with his authorized distribution partner.

6 TROUBLESHOOTING

6.1 With D-BEDIX / KOMBI-D-BEDIX (option)

6.1.1 Error display

The control unit recognizes various error situations and conditions and displays them on the D-BEDIX / KOMBI-D-BEDIX panel by means of an error number. Fatal errors (door in standstill) will be automatically shown on the display when the installation is switched on.

6.1.2 Carrying out a Reset

Before carrying out a Reset, make sure to note the error number.

- Upon selection and confirmation by means of the OK key, the drive unit automatically re-adjusts itself.

Should you not succeed in eliminating the error, please call the after-sales service (Address: see chapter 1).



Note:

In order to perform a precise error diagnostic, the after-sales service absolutely needs to know the error-no. which is displayed! Hereafter you will find further instructions about how you can try to eliminate the error, or if it is necessary to contact the after-sales service.

6.2 Irregular functioning without error no.

Malfunction	Analysis	Possible cause	Elimination
Drive mechanism does not function	Program selector switch	On position MANUAL	Select AUTOMATIC
	Mains plug	Pulled out	Plug in
	Customer-supplied fuse	Defective	Replace
Drive mechanism does not open	Program selector switch	Opening element defective	Contact the after-sales service
	Door wing cannot be opened by hand	Electric lock does not release	Check/Contact the after-sales service
	Presence of an obstacle	Safety element has been triggered	Remove the obstacle
	Emergency stop button	Emergency stop button is active	Release the emergency stop button
Drive mechanism does not close	Program selector switch	Opening element is active	Check/Contact the after-sales service
	Presence of an obstacle	Safety element has been triggered	Remove the obstacle
Wing moves jerkily	Program selector switch	–	Contact the after-sales service

7 SHUT-DOWN

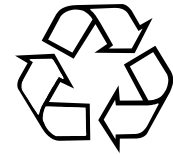
No particular measures need to be taken for de-commissioning the installation.

If the swing door drive mechanism will not be used during at least 1 month, it is recommended to pull out the mains plug.

For taking the installation back into operation, all you have to do is to plug in the mains cable and select the operating mode. If the swing door drive mechanism has been out of operation for more than 3 months, we recommend to have the re-commissioning carried out by your after-sales service (address: see chapter 1).

8 DISPOSAL OF THE INSTALLATION

An ecologically acceptable disposal of the installation is ensured if the different materials are separated and recycled. No particular measures are required for the protection of the environment. However, the relevant legal prescriptions applicable for the installation site have to be complied with!



We advise you to entrust your after-sales specialists with the dismantling and disposal of your installation. They will guarantee that the work is carried out according to the rules of environmental protection.

9 SETTINGS MADE BY THE AFTER-SALES SERVICE

.....
.....
.....
.....
.....
.....
.....
.....

10 APPENDIX

The following documents are added as an appendix to this operator manual:

- Declaration of incorporation according to machinery directive

**Declaration of incorporation EC according to
Machinery Directive 2006/42/EC**

Manufacturer: Gilgen Door Systems AG
Freiburgstrasse 34
CH-3150 Schwarzenburg
Phone +41 31 734 41 11

Responsible for documents: Roger Hofmeier
Head of Quality, Safety and Environment
Gilgen Door Systems AG
Freiburgstrasse 34
CH-3150 Schwarzenburg

Product designation: Swing door drive unit for door leaf systems
supplied by others

Type designation: **FD 10**

Year of construction: as per 2019

We herewith declare that the above-mentioned machine component answers the following fundamental requirements of the **Machinery Directive (2006/42/EG)**.
Appendix I, Articles 1.1.2, 1.1.3, 1.1.5, 1.2.1, 1.2.4, 1.2.6, 1.3.1, 1.3.2, 1.3.4, 1.3.7, 1.5.1, 1.6, 1.7.

The technical documentation according to Appendix VII Part B has been established and will be transmitted to the authorized services in the form of electronic files upon justified request.

In addition, the requirements specified in the directives for **low-voltage (2014/35/EU)** and **EMC (2014/30/EU)** are complied with.

The commissioning of the installation incorporating the above-mentioned machine component is prohibited until it has been officially ascertained that the installation answers the requirements of the Machinery Directive (2006/42/EC).

Schwarzenburg, 24.06.2019

The CEO:



Martin Plüss

The CTO:



Jörg Marzoner