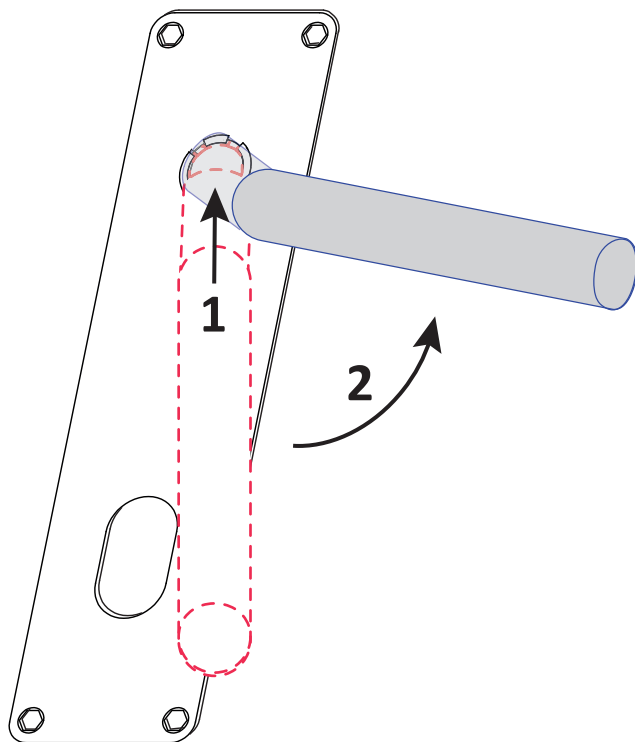


BM 500 - serie AISI 304

Lever handles, roses and escutcheons in stainless steel AISI 304. DT 36 - 78 mm.

Three point bayonet fixing, tap and connect. Brushed, or polished or PVD- coated in different colors.

Classification according to EN 1906:2012:



Brushed finish

4	7	-	B1	1	4	0	U
---	---	---	----	---	---	---	---

Polished and / or PVD coated finish

4	7	-	B1	1	5	0	U
---	---	---	----	---	---	---	---

