

HARDWARE PERFORMANCE SHEET

Name of sponsor: Gilgen Door Systems AG
Product name: Hardware Performance Sheet – FD 10
File no.: PHO10093A
Date: 23-01-2020
Pages: 8 **Encl.:** 0
Ref: MKL / CAN

Client information

Client: Gilgen Door Systems AG
Address: Freiburgstrasse 34
CH-3150 Schwarzenburg
Switzerland

General principle of the hardware performance sheet

This document is composed in accordance with the European Standard:

- EN 16035:2012

The objective of the hardware performance sheet is to compose a reliable performance verification system for building hardware, needed to permit the door and/or openable window manufacturers the use of alternative hardware components.

A hardware performance sheet together with test evidence can be used as documentation for an Extended Application report, prior to CE-marking.

Test reports

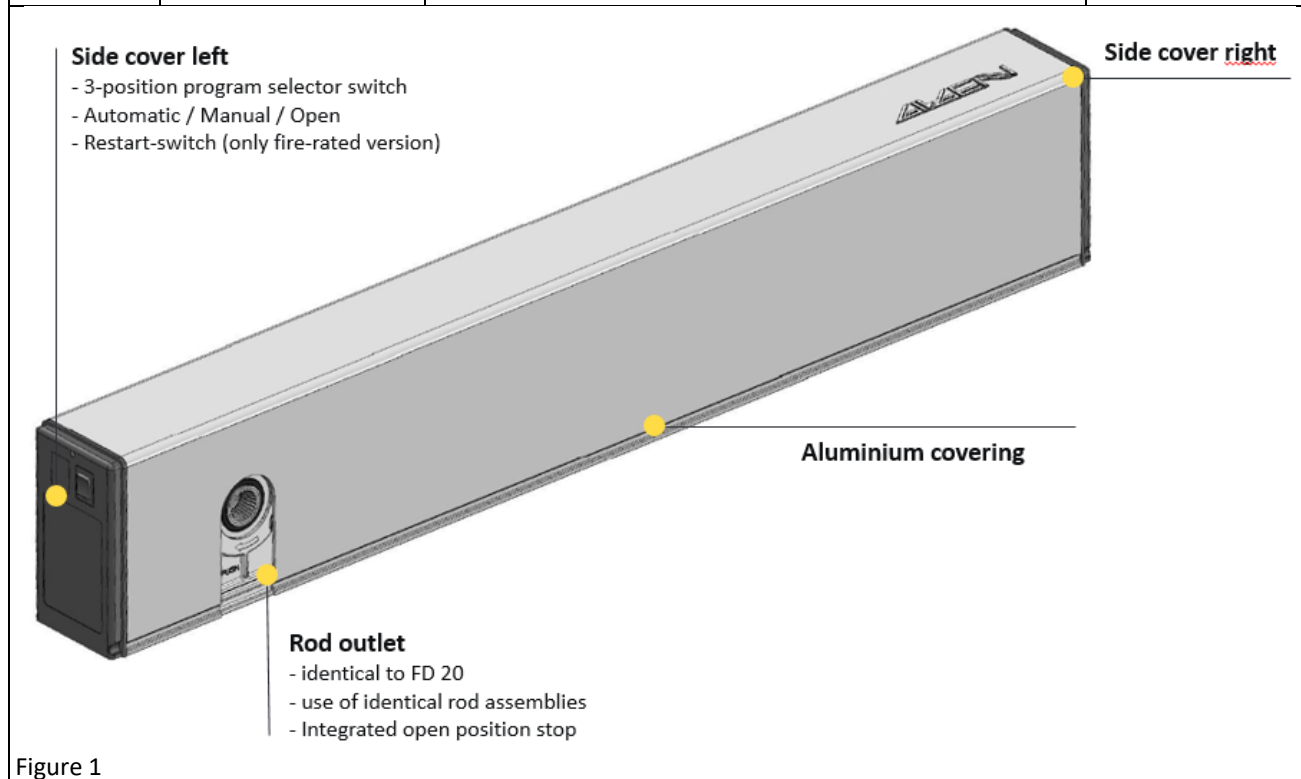
This Hardware Performance Sheet is based on the following test evidence:

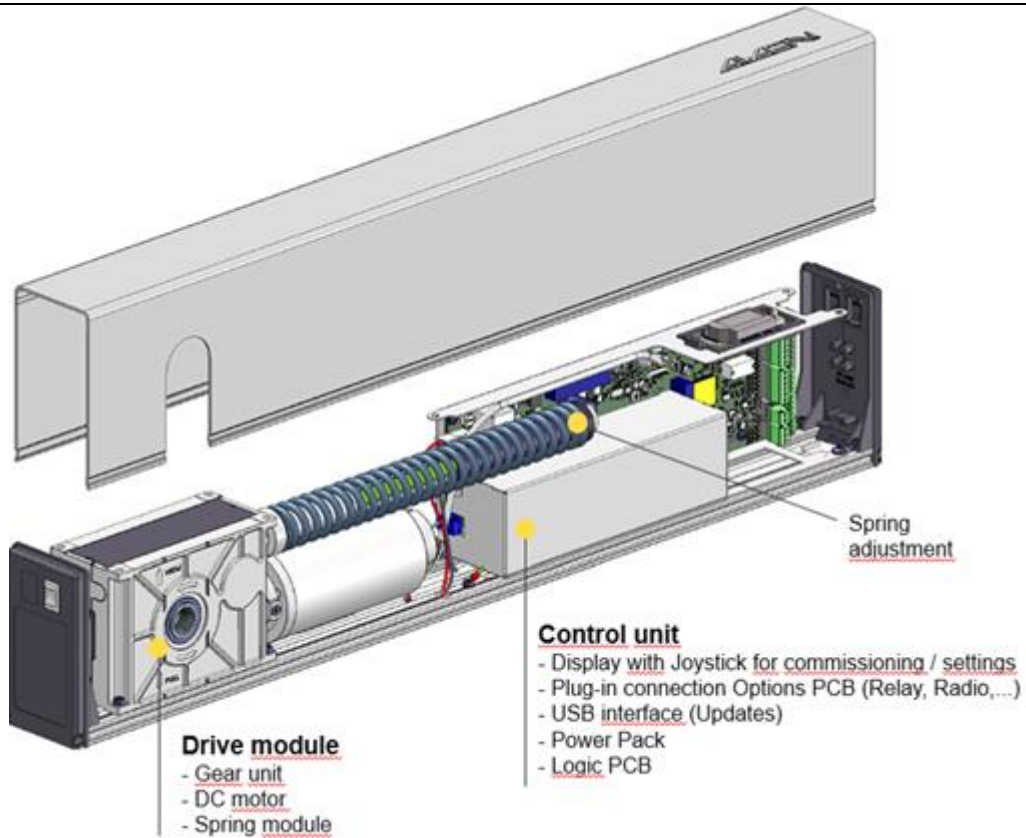
Name of Laboratory	Name of client	File No.	Standard	Issue date
Danish Institute of Fire and Security Technology	Gilgen Door Systems AG	PGA11590C	EN 1634-1: 2014 + A1: 2018	10-01-2020
Danish Institute of Fire and Security Technology	Gilgen Door Systems AG	PGA11590D	EN 1634-1: 2014 + A1: 2018	10-01-2020

Determination of data for the interchangeability

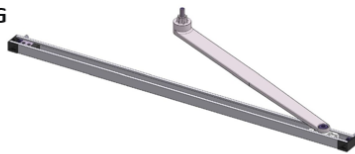
Building hardware identification

Position	Declaration	Required product information	Note/additional information ^a
1	Manufacturer	Gilgen Door Systems AG, Freiburgstrasse 34, 3150 Schwarzenburg	See 5.2.1
2	Manufacturer's product reference as shown in fire test evidence	FD 10	See 5.2.2





Sliding rods RG



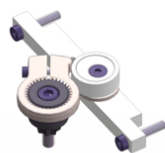
- Integrated open position stop piece in the sliding rail
- Incl. fastening screws
- 45-0548-164

Standard rods RS



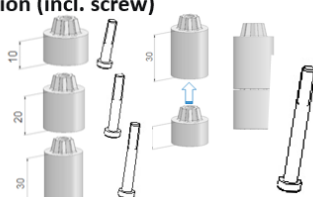
- With fastening screws
- 45-0548-163

VE Open position stop piece



- Matching to standard rods RS
- In case an external open position stop piece cannot be installed
- 45-0548-175

Axle extension (incl. screw)



- VE Axle extension +10 (45-0548-190)
- VE Axle extension +20 (45-0548-191)
- VE Axle extension +30 (45-0548-192)
- VE Axle extension +40 (45-0548-193)
- VE Axle extension +50 (45-0548-194)

Figure 2

3	Type of building hardware	Automatic swing door operator		See 5.2.3
4	Relevant EN standard	TÜV approved and complies with the pertinent standards (e.g. EN 16005, DIN 18650)		See 5.2.4
5	Classification (in accordance with relevant hardware product standard)	Classification : Grade 1	Characteristic: Suitable for use on fire/smoke door assemblies	See 5.2.5
6	Main dimensions	Height: 70 mm, width: 125 mm, length: 730 mm See Figure 3 below:		See 5.2.6

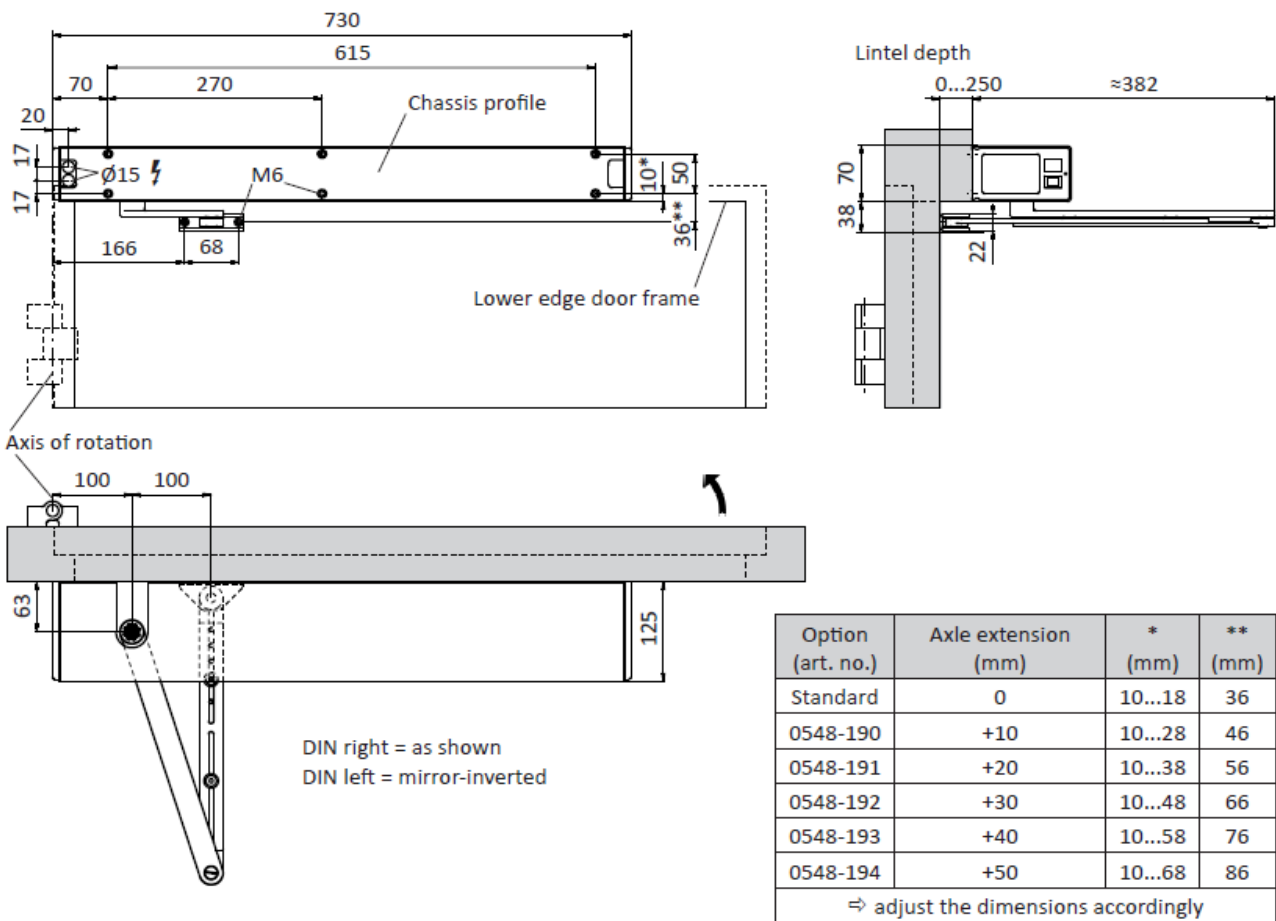


Figure 3

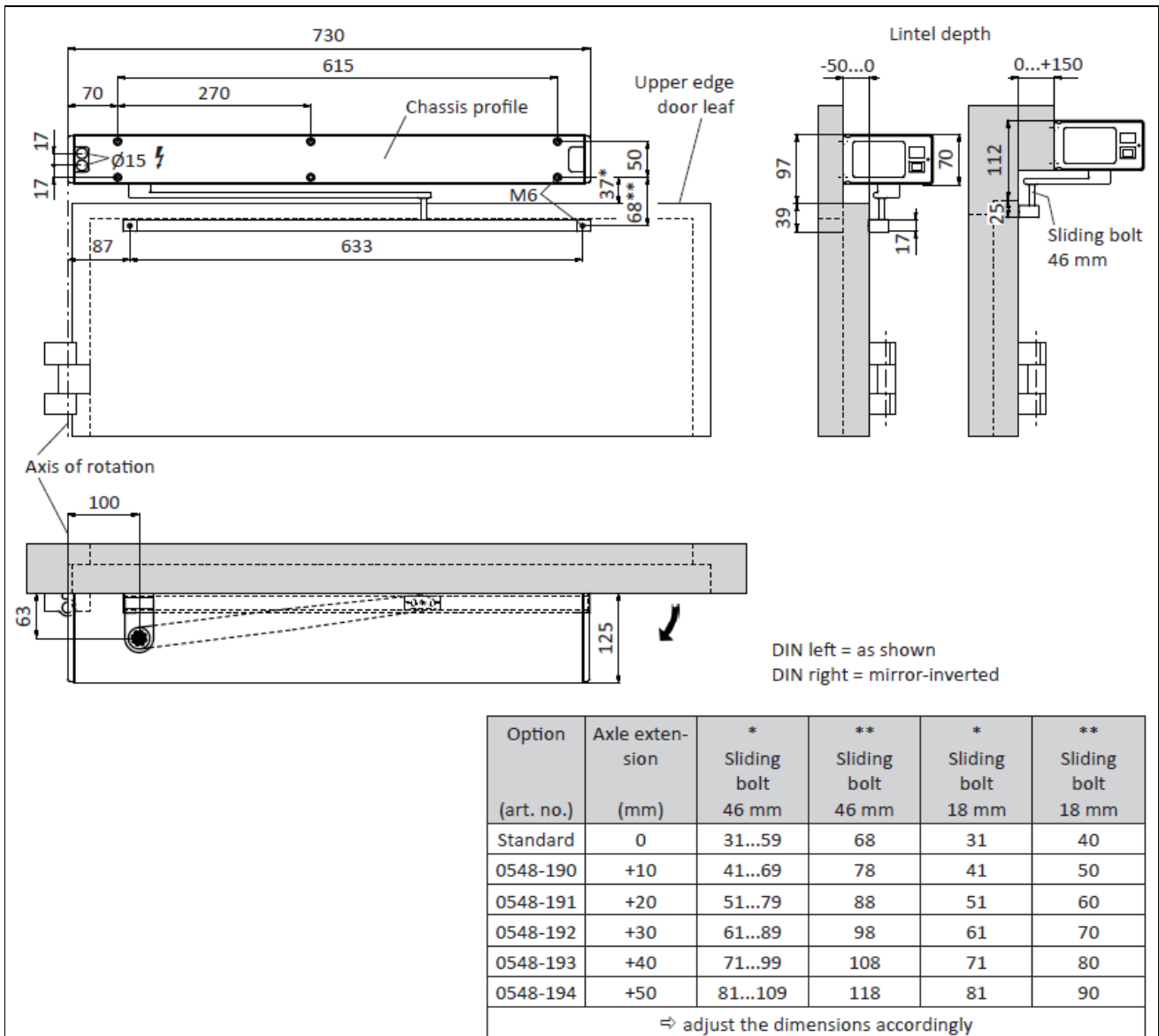


Figure 4

7	Remarks	Door leaf or lintel installation Pushing or pulling function Controlled, spring actuated closure with motor assistance	See 5.2.7
---	---------	--	-----------

^a References to claused in the HPS standard EN 16035:2013

Test evidence used

This hardware performance sheet is only valid for doorset and/or openable windows as described in the table below.

1	Material of doorset and/or openable window	- Steel doorset and/or openable window
		<input checked="" type="checkbox"/> Timber doorset and/or openable window
		- Aluminium doorset and/or openable window
		- Other
2	Mounting of building hardware	<input checked="" type="checkbox"/> Surface mounted, exposed to fire
		<input checked="" type="checkbox"/> Surface mounted, not exposed to fire
		- Mortice mounted, fire on both side

3	Type of doorset and/or openable window	<input checked="" type="checkbox"/> Hinged
		- Pivoted
		- Sliding
		<input checked="" type="checkbox"/> Single leaf doorset
		- Double leaf doorset
		- Primary (active) leaf
		- Secondary (passive) leaf
- Other type		

Performance level(s)

	Performance	Fire resisting and/or smoke control doorset and/or openable window test evidence	Building hardware test evidence ^a	Smoke control doorset and/or openable window test evidence	Durability of self-closing
1	Test method:	<input checked="" type="checkbox"/> EN 1634-1	- EN 1634-2 ^b	- EN 1634-3	- EN 1191 - EN 12605
2	Test report no.:	PGA11590A dated 10-01-2020 PGA11590B dated 10-01-2020			
3	Test report issued by:	Danish Institute of Fire and Security Technology			
4	Classification	EN 13501-2 E: 30 min.		EN 13501-2 - S _a - S _m	EN 14600 - C0 (zero) - C1 (50) - C2 (10.000) - C3 (50.000) - C4 (100.000) - C5 (200.000)
5a	Width of primary leaf:	1025 mm			
5b	Width of secondary leaf:	-			
6	Door leaf height:	2145 mm			
7	Door thickness:	80 mm			
8a	Mass of primary leaf:	76.8 kg with ref. to PGA11590A 88.5 kg with ref. to PGA11590B			
8b	Mass of secondary leaf:	-			

9	Restrictions ^c :	-
10	Installation instructions ^d :	See Figure 1, 2, 3 and 4
11	Certification body for relevant hardware:	DBI - The Danish Institute of Fire and Security Technology
12	Prepared by:	DBI - The Danish Institute of Fire and Security Technology
13	Date:	20-01-2020
<p>^a The dimensions shown in this column relate to the associated construction relevant to the particular test.</p> <p>^b Results from a test by EN 1634-2 show information about the hardware. The test specimen of EN 1634-2 does not represent a doorset as defined in EN 16034.</p> <p>^c E.g. limitations of application.</p> <p>^d E.g. reference to the building hardware manufacturer's installation instructions.</p>		

Remarks

This report has only been printed in a pdf-version. DBI has not issued a hard copy version.

All values mentioned in this report are nominal values, production tolerances are not considered.

Danish Institute of Fire and Security Technology



Malthe Klint
M.Sc. (Civ.Eng.)



Christian Bjerglund Andersen
M.Sc. (Civ.Eng.)

Address: Freiburgstrasse 34
CH-3150 Schwarzenburg
Switzerland

Enclosures: None